

RESIN CONTROL COLUMN  
REPLACES KIT PART No.4

REPLACEMENT COWLING

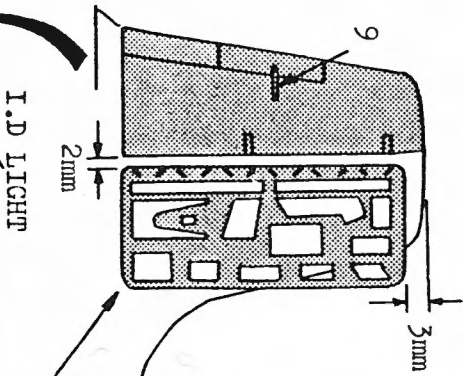
RESIN INTAKE

REMOVE MOULDED WIPER  
FROM CANOPY BEFORE  
ADDING PIECES No.12

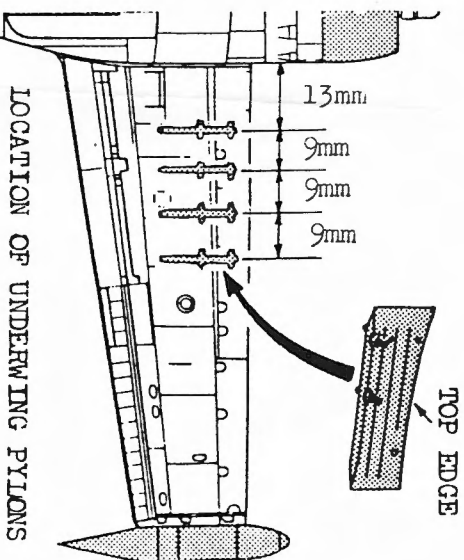
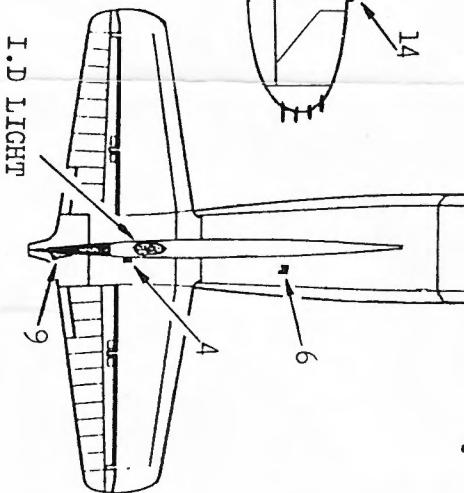
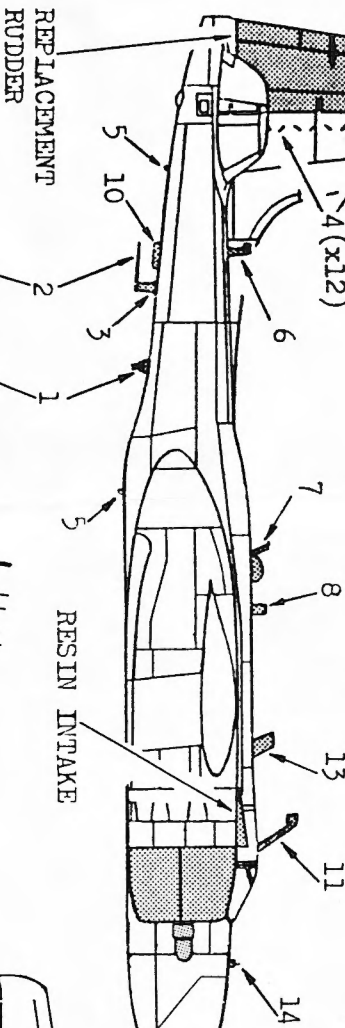
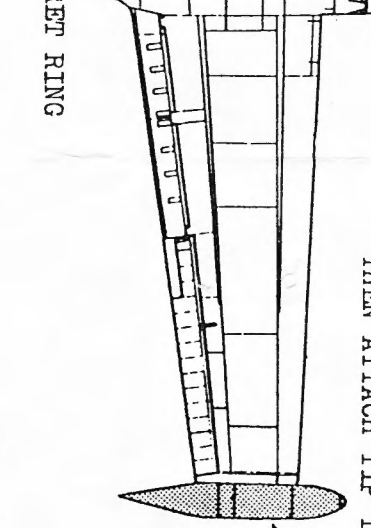
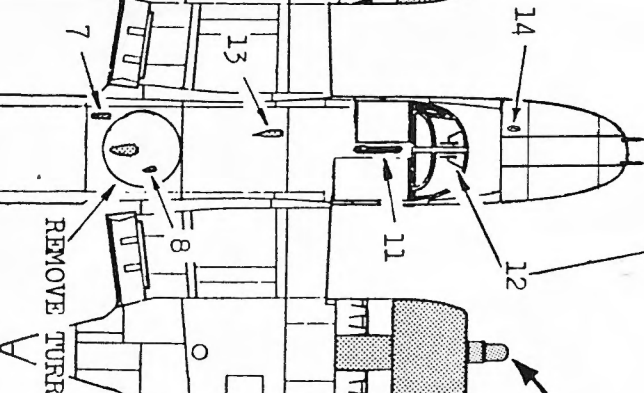
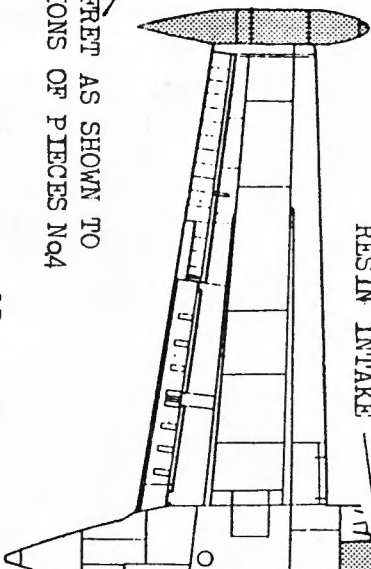
RESIN PADDLE BLADES AND HUB

REMOVE 4mm FROM WING TIPS  
THEN ATTACH TIP TANKS

USE BRASS FEET AS SHOWN TO  
MARK POSITIONS OF PIECES No.4



USE BRASS FEET AS SHOWN TO  
MARK POSITIONS OF PIECES No.4



REMOVE TURRET RING

REMOVE TURRET RING